



Classic Series Front Fold Grain Cart

Front Fold Grain Carts

UNMATCHED

Design & Performance



Classic
Front Fold

CLASSIC SERIES MODELS 525 • 620 • 750 • 875 • 1000 • 1051 • 1151 • 1326 • 1401



GREATER

— And Straighter —

Upward, Outward & Forward Reach

“100% VISIBILITY”

Since we were awarded a patent for our front folding corner auger design over 30 years ago, some competitors have described their side folding auger carts using the terms “Corner Auger Design”, “Corner-Like” and “100% Visibility”. We believe this is a creative marketing ploy to try and convince the end user that they offer the operator the same visibility of the upper auger as our patented design. Don’t be fooled by side folding auger carts that use these terms. Many of the side folding augers barely extend past the front of the tank, placing the unloading spout further away from the tractor cab. Ironically, some of the side folding auger designs also provide an “Upper Auger Indicator” on the front of the cart so the operator can tell where the auger is when they fold it in the storage position. If it provides 100% visibility, why do they need an auger indicator?

Designed with the operator in mind, J&M’s Front Folding Corner Auger design offers 100% visibility of the upper auger during unloading AND during the folding sequence, giving the operator a closer, clearer view when unloading grain.



UNIQUE AUGER DESIGN

Only J&M's Front Folding Auger Design Offers Total Visibility

Designed with the operator in mind, the upper auger is positioned in the corner and extends toward the tractor cab, creating a closer, clearer view when unloading grain. The Front-Folding Auger features a unique design that provides 100% visibility during unloading AND equally important 100% visibility during the folding sequence. Other carts try to use words "corner-like" and "100% visibility" to appear the same, but they don't compare.



HYDRAULIC FLOW CONTROL SPOUT

Maximum Upward, Outward and Forward Auger Reach

The Patented Hydraulic Flow Control Spout easily corrects auger position on too close or too far away approaches, all from inside the tractor cab. The Hydraulic Flow Control Spout makes topping off the trailer quick and easy for even the most novice operators, allowing you to get back to the field faster and keep the combine rolling.



EXCELLENT CLEANOUT

All J&M grain carts have built a solid reputation for excellent cleanout...even in high moisture grain. The secret is in the tank design, allowing the grain to enter the sump at different speeds. This creates a boiling effect that prevents bridging in high moisture grains.





BALANCED TONGUE WEIGHT

The weight distribution of J&M grain carts are superb compared to competitive carts. The undercarriage axle is positioned to produce a properly balanced tongue weight, reducing the stress and upgrade costs on your tractor draw bar.

COMPUTER BALANCED AUGER

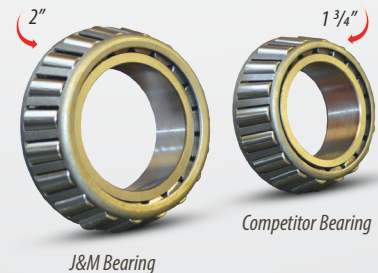
Super-Edge Flighting Balanced to Within One Ounce

All J&M grain carts feature thick flighting with a patented Super-Edge that puts more material where it is needed, on the outer edge. In addition, we reinforce the flighting at critical wear points to increase life and durability.

All augers are balanced to within ONE Ounce. Precision manufacturing ensures a quiet running system that extends overall auger life and performance by reducing vibration to the drive system.

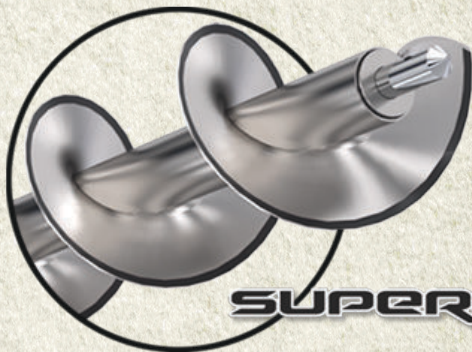
INDUSTRY BEST BEARING RATING

Some competitors are using liberal claims in their brochures such as "Industry Best Bearing Ratings" to describe their gearboxes, claiming bearing ratings of 3,000 lbs to 6,000 lbs. They must not be comparing them to J&M heavy duty gearboxes, which have stronger inner and outer bearing ratings of 6,900 lbs and 7,000 lbs.



J&M Bearing

Competitor Bearing



SUPEREDGE
FLIGHTING





SD AND HD SINGLE WHEEL CARTS

The 1051 and 1151 SD (Standard Duty) single axle grain carts feature a 6" V-Truss axle, standard hubs and bearings with 4 1/2" diameter spindles. The optional HD (Heavy Duty) version is upgraded with a 7" tubular V-Truss axle, heavy duty hubs and bearings with large 6" diameter spindles.



STANDARD DUTY

6" x 6" V-Truss Axle
Standard Duty Hub
4 1/2" Spindles

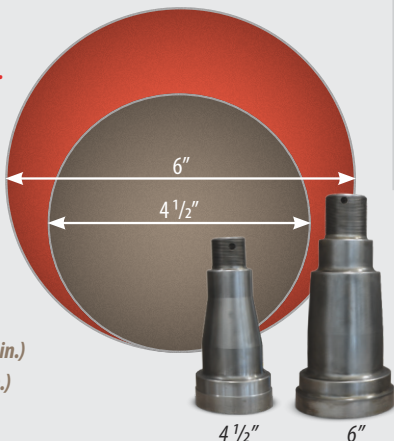


HEAVY DUTY

7" x 7" V-Truss Axle
Heavy Duty Hub
6" Spindles

J&M 6" Spindle (Orange)
Diameter = 6 inches
Cross Sectional Area = 28.26 sq in.
Material = 1144 Steel
Tensile Strength = 120,000 psi
Yield Strength = 110,000 psi

J&M 4 1/2" Spindle (Brown)
Diameter = 4 1/2 inches
Cross Sectional Area = 15.9 sq in.
Material = "Stress Proof" Steel
Tensile Strength = 125,000 psi (min.)
Yield Strength = 100,000 psi (min.)



HEAVY-DUTY GEARBOX

Dynamic gearbox ratings have been the industry standard for years, but recently, some competitors have been using Static ratings in an attempt, we believe, to make their gearboxes appear stronger. Dynamic ratings are calculated when the gearbox is under rotation, or in use. Static ratings are calculated when components rotate at very slow speeds and when heavy shock loads of short duration act on the rotating components. A different rating calculation that produces a higher horsepower number does not change the strength of the gearbox... it only makes it appear to the unknowing consumer that it is better, when in fact, it may not be. Don't be fooled by misleading HP ratings.

From a web article on "How to Calculate Dynamic and Static Load Ratings", by Power Transmission Engineering: "It is important that the end user develop a keen understanding of how capacity ratings and subsequent life calculations are generated in order to make a true comparison, or be left to comparing the claims of well-heeled marketing departments."

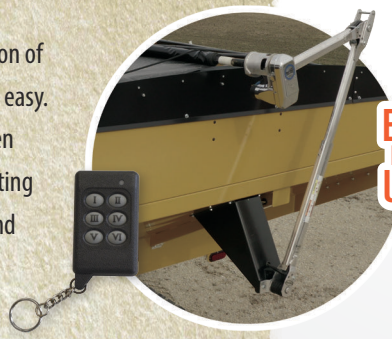


J&M Heavy-Duty Gearbox 362 HP Static/168 HP Dynamic





The new Glide Right roll tarp is designed to offer greater protection of your valuable crops while making opening and closing quick and easy. The patent pending design keeps the tarp square and in line when turning the roll tube, eliminating the chance of binding and creating a tighter seal to keep moisture out and prevent the chance of wind flapping or lifting the tarp during transport.



**ELECTRIC
ROLL TARP
UPGRADE**

WHY ADD A SCALE SYSTEM?

Adding a scale system to your grain cart will increase your harvesting efficiency and record keeping accuracy. Depending on the size of the cart, J&M currently offers a 3 point or 5 point scale system. All scales are factory installed and calibrated to be accurate within 0.5% on a 5 point system and 1.0% on a 3 point system. An upgraded indicator will automatically log the unloads for simpler record keeping, and with smart options like moisture and auto gate shut off, the operator can focus on harvest. Exporting records is as simple as an email or inserting a USB drive. With the iFarm Cart, your records can be sent directly to the cloud for the farm



GLIDE RIGHT
ROLL TARP SYSTEM



Hydraulic Drive Kit



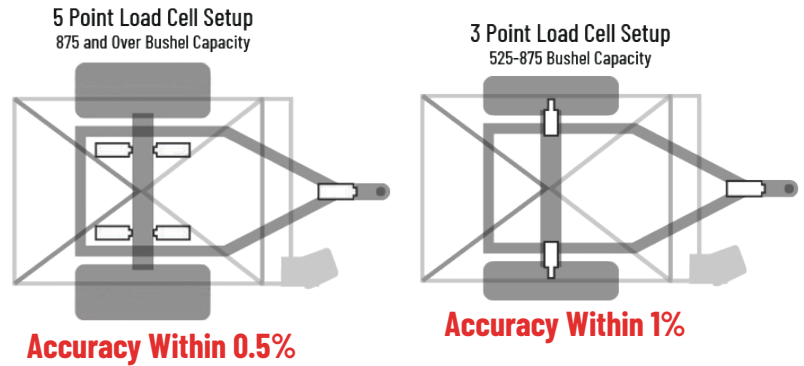
Camera Kit



J&M MANUFACTURING
iFARM
CART
CLOUD BASED SCALE SYSTEM

manager with no user input. Choose any of our indicators from economically priced to feature rich depending on your farming needs.

3 point systems place the weigh bars in the spindles. This placement is fine for tires up to 31" wide, but as grain cart tires get wider than 31" the distance from the center of gravity increases, causing the torque being applied to the weigh bars to increase exponentially when the cart is on an angle. This causes the 3 point scale system to become inaccurate. J&M was the first in the industry to use a 5 point scale system when using these wide tires. The 5 point system places 4 weigh bars in the axle, so the weight is distributed on the weigh bars evenly to keep the scale system accurate within 0.5%.



J&M IFARM CART BY AGRIMATICS™

J&M iFarm Cart by Agrimatics™ is the leading edge of agricultural weighing systems. The patent-pending system automatically saves every unload and connects wirelessly to all in-range mobile devices providing world-class indicator displays to the entire team. iFarm Cart is simple to install and simpler to use. Say goodbye to missed unloads and losing your harvest data!

- Use your Android or iOS device to automatically record all your harvest
- No cell data required! Connects directly via Bluetooth
- Anyone in range can connect and see live weight
- Free unlimited cloud backup via Agrimatics Aero
- Save all your harvest data through one free app
- Powerful & cost-effective options available*
 - Moisture sensor
 - Auto-gate shut off

*Options purchased separately



Moisture Sensor

SCALE ADD-ON OPTIONS

- Auto-gate shut off Kit for predetermined weight (for use with Digi-Star GT 560 indicator only)
- Thermal printer for Digi-Star indicator
- Moisture sensor kit (for use with J&M iFarm Cart)
- Auto-gate shut off kit (for use with J&M iFarm Cart)



GT 400



iFarm Express

BASE INDICATORS	Digi-Star GT 400	iFarm Express
Start/Stop Operation	Yes	Yes
Field Data Storage	1 Line	Unlimited
iOS/Android Compatible	No	Yes
Printer Ready /Serial Port	Yes	No
Easy Data Export	No	Yes (.CSV File)

UPGRADED INDICATORS	Digi-Star GT 560	iFarm Cart
Auto Unload Detect	Yes	Yes
Field Data Storage	Yes	Yes
USB Data Transfer	Yes	No
Built-in Email & Cloud	No	Yes
Software Updates	No	Over The Air
Auto Gate Shut Off Ready	Yes	Yes
iOS/Android Compatible	No	Yes
Desktop Software	Included	Free Web Based
Cloud Storage	No	Yes



GT 560



iFarm™ Cart



V4 TRACK SYSTEM

- Built from high-strength plate steel, the V4 Track System has a strong but lighter undercarriage frame compared to competitors. The result is minimized compaction and reduced weight for handling during assembly and maintenance.
- The sleek design has very few places for mud and debris to settle, keeping buildup to a minimum.
- Oil bath hubs, greaseless pivots (self-lubricated sleeve bearings), and a spring tensioner system result in a track system that is virtually maintenance free during day-to-day operations. Each oil bath hub has a cassette style seal, a separate seal guard, and an external v-ring seal for a total of 6 contacting sealing lips and 2 non-contacting sealing lips for better sealing under the harshest conditions.
- The axle mount height of the V4 Track System is among the lowest in the industry, reducing the overall height of the implement.
- Upper rollers limit unsightly belt flop.
- The bogie wheel pivots are closer to the ground than on competitors' models, allowing the bogies to more easily and smoothly walk over obstacles.
- Lower profile end wheels result in less bearing stress during turns, leading to longer bearing life.
The smaller diameter of the end wheels also allows for bogie wheels to be located nearer the end wheels, resulting in a more uniform ground footprint.
- End wheel cutouts provide an exit point for mud/debris during cleaning and an access point for inspection/maintenance.



LONGER TANK LIFE...LESS MAINTENANCE

Redesigned for 2021, J&M's Stabilizer Trax System provides all the benefits of our V4 track system and more. The patented suspension undercarriage features the following benefits not provided by other track designs:

1. Rubber spring suspension on the bogie wheels that results in 3x less tank vibration, creating a smoother ride that greatly extends the cart life.
2. Load adjusted end wheel height. The end wheels are raised under light or no load to reduce tread wear, require less turning force, and to climb over uneven terrain more easily. As load is increased, the end wheels lower to utilize the entire track footprint, minimizing compaction.
3. Independently pivoting bogie pairs. The bogie wheels can pivot up to 14° front-to-back and 7° side-to-side, reducing stress over uneven terrain on the belt, wheels and hubs.

The 2021 redesign features a more efficient design that reduces track weight while increasing the ground footprint, resulting in even less compaction. Wheel components are completely revamped to provide even larger sight windows for checking oil level and the strongest bearing sets in the industry.

STABILIZER TRAX2 ADVANTAGES

- Patented suspension undercarriage
 - Suspension system utilizes rubber springs resulting in 3x less vibration than other track systems and similar vibration to an implement on tires
 - Reduced vibration results in longer cart life and a smoother ride
 - Idler wheels remain up when the cart is empty for reduced belt wear during transport
 - Raised end wheels easily climb over obstacles and make turning easier than traditional tracks
 - Idler wheels move down when cart is under load for maximum flotation
 - Independently suspended, oscillating bogie wheels pivot up to 14° front-to-back and 7° side-to-side to supply more uniform ground contact
 - Belt tension spikes are minimized, increasing bearing life
- X-Large ground footprint
 - Average ground pressure of 12 psi or less for 36" wide tracks, even on a 1500 bu. cart
 - 46" wide tracks provide the largest footprint in the industry at nearly 78 ft²
- The industry's strongest bearings provide unmatched performance under the heaviest loads
- Hubs have large sight windows to easily check oil levels from a distance

Model 36150-STX2	
36" Track Specification	Full Cart
Belt Width	36"
Overall Length	150"
Footprint Dimensions (One Track)	36" x 117.8"
Footprint Area (Both Tracks)	8,480 in ²
Avg. Ground Pressure with 1,500 Bushel Cart	12.2 psi
Pivot Shank	6" Dia.

Model 46155-STX2	
46" Track Specification	Full Cart
Belt Width	46"
Overall Length	155.6"
Footprint Dimensions (One Track)	46" x 121.4"
Footprint Area (Both Tracks)	11,170 in ²
Avg. Ground Pressure with 2,000 Bushel Cart	14.1 psi
Pivot Shank	7" Dia.



High Strength Axle
The V4 Series uses a strong axle (the same tube axle as the Stabilizer Trax)

Upper Roller
keeps tension on the belt to limit unsightly belt flop.

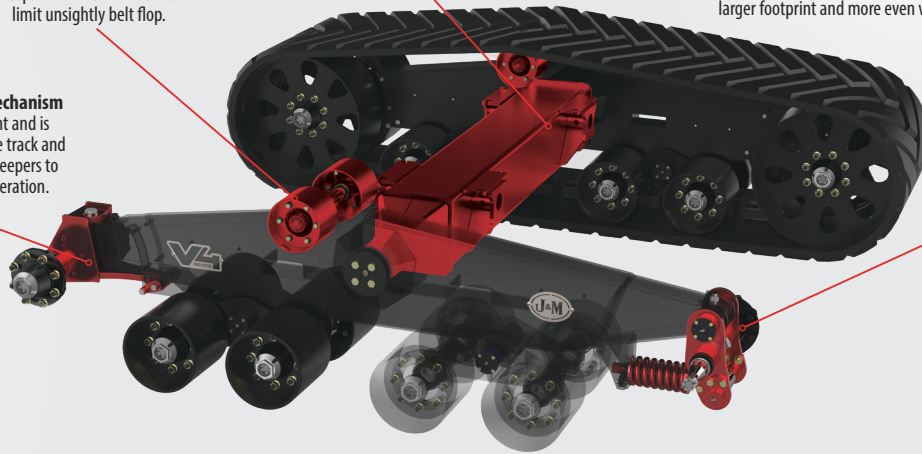
Swivel Hitch Alignment Mechanism
uses two bolts for adjustment and is accessible from each side of the track and is accompanied by two steel keepers to prevent loosening during operation.



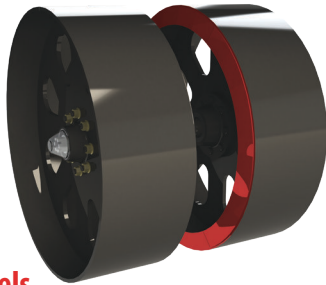
Uniform ground more pressure

Optimized Track Geometry reduces weight while giving it a slightly larger footprint and more even wheel spacing. The result is minimized compaction.

Maintenance Free Spring Tensioner
so there is no need for adjustment once set. "Set it and forget it."



COMMON FEATURES



End Wheels

Full-height flanges on end wheels significantly reduce guide lug wear, extending belt life.

Tube Axle

The heart of each track axle is 12" x 12" x 1/2" (36" track) or 12" x 12" x 5/8" (46" track) thick tubing for maximum bi-directional bending strength, capable of withstanding the heaviest loads under the most extreme conditions.



Tensioner

A single large diameter compression spring provides active tension for the track belt. The spring tensioner requires no daily adjustment, eliminating the hassle of hydraulic or other tension systems.

Upper Roller

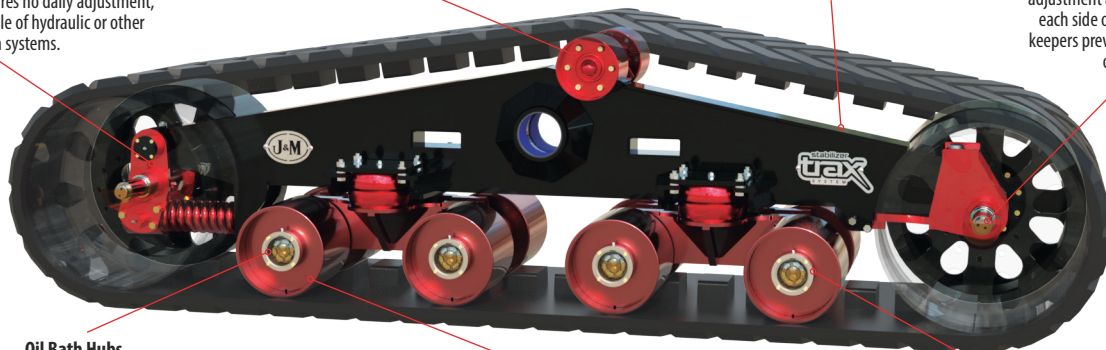
Upper Roller keeps tension on the belt and reduces belt flop.

Undercarriage Beam

Constructed from high-strength plate steel, the undercarriage beam provides superior strength at a reduced weight. The sleek design stays cleaner with minimized locations for mud buildup.

Swivel Hitch Alignment

The convenient alignment mechanism uses two bolts for adjustment and is accessible from each side of the cart. Two steel keepers prevent loosening during operation.



Oil Bath Hubs

Oil bath hubs utilize synthetic oil for superior bearing protection and excellent lubricant flow, even in the coldest weather. There is no need for constant greasing of hubs. Multi-lip cassette seals with separate seal guards provide better sealing under the harshest conditions. Large sight windows make checking the oil level a breeze, even from a distance.

Bogie Wheels

Rubber springs and pivoting bogies significantly reduce tank shock loads and vibration while providing more uniform ground contact over uneven terrain. Each bogie pair can pivot 14° front-to-back and 7° side-to-side, reducing stress on the belt, wheels and hubs. (Stabilizer Trax only.)

Self-Lubricated Sleeve Bearings

All pivots (and bogie rollers on Stabilizer Trax) utilize self-lubricated sleeve bearings, requiring no daily greasing.

Classic Front Fold Specifications

SINGLE WHEEL SPECIFICATIONS	525 (14" Auger)	620 (14" Auger)	750 (18" Auger)	875 (18" Auger)	1000 (20" Auger)
Capacity*	525 Bushels	620 Bushels	750 Bushels	875 Bushels	1,025 Bushels
Auger, One Vertical	14" Diameter	14" Diameter	18" Diameter	18" Diameter	20" Diameter
Unload Rate (bu/min)	up to 185	up to 185	up to 400	up to 400	up to 500
Wheels (2)	21x32 or 27x32	21x32 or 27x32	21x32, 27x32 or 18x42	21x32, 27x32 or 30x32	30x32 or 31x32, 32x36 or 44x32
Hubs (2)	10 bolt	10 bolt	10 bolt	10 bolt	10 Bolt
Spindles (2)	4 1/2" Diameter	4 1/2" Diameter	4 1/2" Diameter	4 1/2" Diameter	4 1/2" Diameter
PTO	1,000 rpm	1,000 rpm	1,000 rpm	1,000 rpm	1,000 rpm
Tires (2)	24.5x32, 30.5x32, IF800/60R32	24.5x32, 30.5x32, IF800/60R32	24.5x32, 30.5x32, IF800/60R32, 520/85R42 or IF520/85R42 or 900/60R32	24.5x32, 30.5x32, IF800/60R32 or 900/60R32	900/60R32, 35.5x32, 1050/50R32, or IF1250/50R32

Tongue Weight

Empty	950 lbs.	1,000 lbs.	1,150 lbs.	1,275 lbs.	2,900 lbs.
Loaded	1,950 lbs.	2,100 lbs.	2,850 lbs.	3,800 lbs.	4,200 lbs.
Total Weight (approx.)	7,034 lbs. ^A	7,330 lbs. ^A	9,606 lbs. ^A	10,186 lbs. ^A	14,078 lbs. ^B

SINGLE WHEEL SPECIFICATIONS	1051 (22" Auger)	1151 (22" Auger)	1326 (22" Auger)	1401 (22" Auger)
Capacity*	1,050 Bushels	1,150 Bushels	1,325 Bushels	1,400 Bushels
Auger, One Vertical	22" Diameter	22" Diameter	22" Diameter	22" Diameter
Unload Time (bu/min)	up to 600+	up to 600+	up to 600+	up to 600+
Wheels (2)	30x32, 31x32, 32x36 or 44x32	30x32, 32x36 or 44x32	44x32	44x32
Hubs (2)	10 Bolt or 20 Bolt	10 Bolt or 20 Bolt	10 Bolt or 20 Bolt	10 Bolt or 20 Bolt
Spindles (2)	6" Diameter	6" Diameter	6" Diameter	6" Diameter
PTO	1,000 rpm	1,000 rpm	1,000 rpm	1,000 rpm
Tires (2)	900/60R32, 35.5x32, 1050/50R32, or IF1250/50R32	900/60R32, 1050/50R32, or IF1250/50R32	IF1050/50R32 or IF1250/50R32	IF1250/50R32

Tongue Weight

Empty	2,900 lbs.	2,400 lbs.	2,400 lbs.	2,400 lbs.
Loaded	4,200 lbs.	4,800 lbs.	4,800 lbs.	4,800 lbs.
Total Weight (approx.)	14,172 lbs. ^B	14,517 lbs. ^B	17,168 lbs. ^C	17,592 lbs. ^C

DUAL WHEEL SPECIFICATIONS	1051 (22" Auger)	1151 (22" Auger)	1326 (22" Auger)	1401 (22" Auger)
Capacity*	1,025 Bushels	1,125 Bushels	1,300 Bushels	1,375 Bushels
Auger, One Vertical	22" Diameter	22" Diameter	22" Diameter	22" Diameter
Unload Time (bu/min)	up to 600+	up to 600+	up to 600+	up to 600+
Wheels (4)	16x42, 18x42	16x42, 18x42	18x42	18x42
Spindles (4)	4 1/2" Diameter	4 1/2" Diameter	4 1/2" Diameter	4 1/2" Diameter
Tires (4)	480/80R42 or IF520/85R42	480/80R42 or IF520/85R42	IF520/85R42	IF520/85R42

Tongue Weight

Empty	2,900 lbs.	2,400 lbs.	2,400 lbs.	2,400 lbs.
Loaded	4,200 lbs.	4,800 lbs.	4,800 lbs.	4,800 lbs.
Total Weight (approx.)	18,291 lbs. ^D	18,426 lbs. ^D	19,283 lbs. ^D	19,707 lbs. ^D

TRACK SPECIFICATIONS	1051 (22" Auger)	1151 (22" Auger)	1326 (22" Auger)	1401 (22" Auger)
Capacity*	1,075 Bushels	1,175 Bushels	1,350 Bushels	1,425 Bushels
Auger, One Vertical	22" Diameter	22" Diameter	22" Diameter	22" Diameter
Unload Time (bu/min)	up to 600+	up to 600+	up to 600+	up to 600+
Tongue Weight				
Empty	2,900 lbs.	2,900 lbs.	2,400 lbs.	2,400 lbs.
Loaded	4,200 lbs.	4,200 lbs.	4,800 lbs.	4,800 lbs.
Total Weight (approx.)	22,670 lbs.**	22,805 lbs.**	23,696 lbs.**	24,120 lbs.**

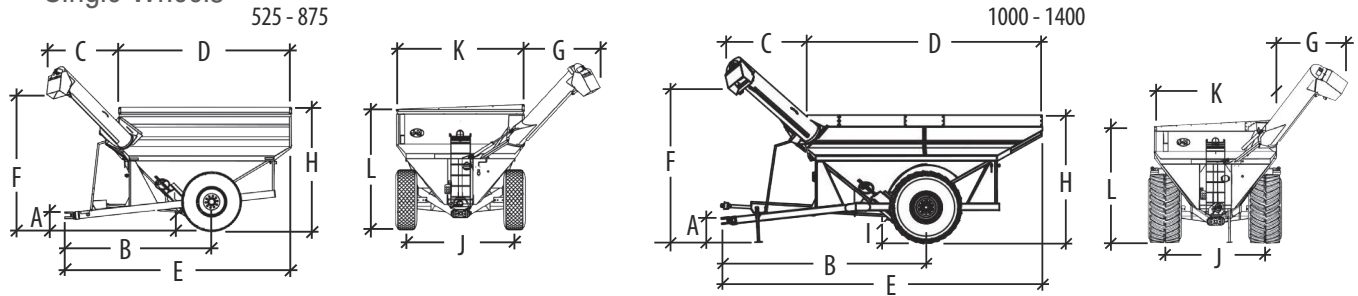
Specifications are subject to change without notice or obligation. | Bushel capacity measured with #2 corn at 15% moisture content (56 lb. test weight) | **Weight with 36" Stabilizer Trax2

Classic Front Fold Compaction Rate

Model	24.5x32	24.5x32	24.5x32	IF520/85R42	520/85R42	30.5x32	30.5x32	IF800/60R32	35.5x32	900/60R32	1050/50R32	IF1250/50R32
	Lug (12 ply)	Diamond (12 ply)	Diamond (16 ply)	Lug (169 LI)	Lug (169 LI)	Lug (16 ply)	Lug (18 ply)	Diamond (181B LI)	Diamond (20 ply)	Lug (176 LI)	Lug (185 LI)	Lug (195 LI)
525	N/A	24	N/A	N/A	N/A	26	30	19	N/A	N/A	N/A	N/A
620	24	24	N/A	N/A	N/A	26	30	24	N/A	N/A	N/A	N/A
750	24	24	N/A	35	50	26	30	35	N/A	35	N/A	N/A
875	N/A	N/A	30	N/A	N/A	26	30	45	N/A	35	N/A	N/A
1000	N/A	N/A	N/A	N/A	N/A	N/A	N/A	N/A	28	35	63	24

Classic Front Fold Dimensions

Single Wheels

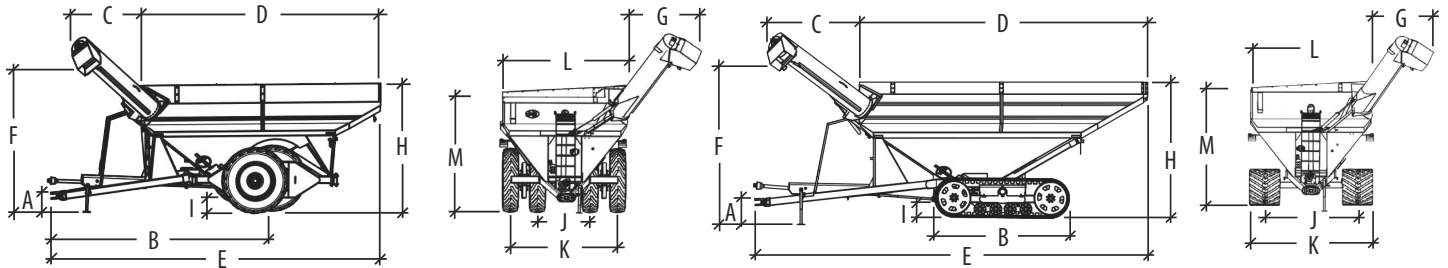


Model	A	B	C	D	E	F	G	H	I	J	K	L
525 ^A	1'-5"	12'-10"	6'-5"	12'-0"	18'-1"	11'-11"	7'-5"	11'-2"	1'-2"	10'-0"/10'-4"/12'-0"	10'-0"	10'-8"
620 ^A	1'-5"	12'-10"	6'-5"	13'-2"	18'-10"	11'-11"	7'-5"	11'-10"	1'-6"	10'-0"/10'-4"/12'-0"	11'-10"	11'-4"
750 ^A	1'-7"	12'-9"	6'-5"	14'-0"	19'-1"	12'-6"	7'-0"	11'-8"	1'-5"	10'-0"/10'-4"/12'-0"	11'-9"	11'-4"
875 ^A	1'-7"	13'-6"	6'-8"	16'-0"	20'-11"	12'-2"	7'-0"	11'-10"	1'-5"	10'-0"/10'-4"/12'-0"	11'-9"	11'-6"
1000 ^B	1'-6"	18'-4"	8'-6"	22'-0"	28'-10"	13'-4"	6'-4"	12'-0"	1'-7"	10'-0"	11'-9"	10'-11"
1051 ^B	1'-6"	18'-10"	8'-6"	22'-0"	29'-7"	13'-4"	6'-4"	12'-3"	1'-5"	9'-6"/10'-0"	11'-9"	11'-2"
1151 ^B	1'-6"	18'-10"	8'-6"	22'-0"	29'-7"	13'-4"	6'-4"	12'-5"	1'-5"	9'-6"/10'-0"	11'-9"	11'-10"
1326 ^C	1'-6"	21'-10"	8'-6"	25'-6"	34'-5"	13'-6"	6'-4"	12'-8"	1'-5"	9'-6"/10'-0"	11'-9"	11'-10"
1401 ^C	1'-6"	21'-10"	8'-6"	25'-6"	34'-5"	13'-6"	6'-4"	12'-8"	1'-5"	9'-6"/10'-0"	11'-9"	12'-5"

A - Measured with 30.5x32 Tires B - Measured with 900/60R32 Tires C - Measured with 1250/50R32 Tires

Walking Tandem Dual Wheels

Tracks



	Model	A	B	C	D	E	F	G	H	I	J	K	L	M
Duals	1051 ^D	1'-6"	18'-10"	8'-6"	22'-0"	29'-7"	13'-3"	6'-4"	12'-2"	1'-5"	5'-0" / 6'-0"	10'-0" / 12'-0"	11'-9"	11'-1"
	1151 ^D	1'-6"	18'-10"	8'-6"	22'-0"	29'-7"	13'-3"	6'-4"	12'-2"	1'-5"	5'-0" / 6'-0"	10'-0" / 12'-0"	11'-9"	11'-1"
	1326 ^D	1'-6"	21'-9"	8'-6"	25'-6"	34'-5"	13'-2"	6'-4"	12'-4"	1'-5"	5'-0" / 6'-0"	10'-0" / 12'-0"	11'-9"	11'-6"
	1401 ^D	1'-6"	21'-9"	8'-6"	25'-6"	34'-5"	13'-2"	6'-4"	12'-4"	1'-5"	5'-0" / 6'-0"	10'-0" / 12'-0"	11'-9"	12'-1"
Tracks	1051	1'-6"	12'-2"	8'-6"	22'-0"	29'-7"	13'-2"	6'-4"	12'-1"	1'-5"	9'-0"	12'-0"	11'-9"	11'-0"
	1151	1'-6"	12'-2"	8'-6"	22'-0"	29'-7"	13'-2"	6'-4"	12'-4"	1'-5"	9'-0"	12'-0"	11'-9"	11'-8"
	1326	1'-6"	12'-2"	8'-6"	25'-6"	34'-5"	13'-0"	6'-4"	12'-2"	1'-5"	9'-0"	12'-0"	11'-9"	11'-4"
	1401	1'-6"	12'-2"	8'-6"	25'-6"	34'-5"	13'-0"	6'-4"	12'-2"	1'-5"	9'-0"	12'-0"	11'-9"	11'-11"

D - Measured with 520/85R42 Tires

Classic Front Fold Compaction Rate

	35.5x32	900/60R32	900/60R32	1050/50R32	IF1050/50R32	IF1250/50R32	IF1250/50R32	IF1250/50R32
Model	Diamond (20 ply)	Lug (176 LI)	Lug (191 LI)	Lug (185 LI)	Lug (195 LI)	Lug (195 LI)	Lug (201 LI-Alliance)	Lug (201 LI-Firestone)
1051	28	35	N/A	63	N/A	25	N/A	N/A
1151	N/A	N/A	64	63	N/A	30	N/A	N/A
1326	N/A	N/A	N/A	N/A	58	N/A	46	39
1401	N/A	N/A	N/A	N/A	N/A	N/A	46	42

	480/80R42	480/80R42	IF520/85R42	520/85R42	V4LT Tracks	V4 Tracks	STX2 Tracks	STX2 Tracks
Model	Lug (154 LI-Firestone)	Lug (169 LI-Alliance)	Lug (169 LI-Firestone)	Lug (169 LI-Alliance)	(36"x106")	(36"x139")	(36"x150")	(46"x155")
1051	29	64	35	50	14	10	7.4	N/A
1151	29	64	35	50	15	10.7	9.9	7.9
1326	N/A	N/A	35	50	N/A	11.7	11.1	8.8
1401	N/A	N/A	35	50	N/A	12.7	11.7	9.2





Classic Series Front Fold Grain Cart

Classic

Front Fold



GUARANTEE

J & M MANUFACTURING CO guarantees against any faulty construction or materials for a period of ONE year. We reserve the right to inspect and decide whether material or construction was faulty or whether abuse or accident voids our guarantee.

Specifications are subject to change without notice or obligation.

* Registered Trademark of J. & M. Mfg., Co. Inc.