

Tools & attachments

The ultimate in flexibility

A comprehensive range of tools and attachments allow Flailbot to be easily configured for a wide range of applications.

● Standard ○ Optional — Not Available

Tool / Accessory	Mini (23hp)	Compact (40hp)	Original (40hp)	Extra (50hp)	Supreme (70hp)
Standard Flailhead (1000)	●	—	—	—	—
Standard Flailhead (1300)	—	●	○	○	—
Standard Flailhead (1500)	—	—	●	●	—
Standard Flailhead (2000)	—	—	—	—	○
Forestry Head (1200)	—	○	○	○	—
Forestry Head (1650)	—	—	—	—	●
Rotary Mower Deck and Barrier Mower Disc	—	○	○	○	○
Wood Chipper	○	○	○	○	○
Stump Grinder	○	○	○	○	○
Sweeper	○	○	○	○	○
Collection Basket for Sweeper	—	○	○	○	○
Snow Blower	○	○	○	○	○
Snow Plough Blade	○	○	○	○	○
Loader and Front Bucket	—	—	○	○	—
Haymaker Bar	○	○	○	○	○
Atomiser / Sprayer	—	—	○	○	—
Trencher	—	○	○	○	○

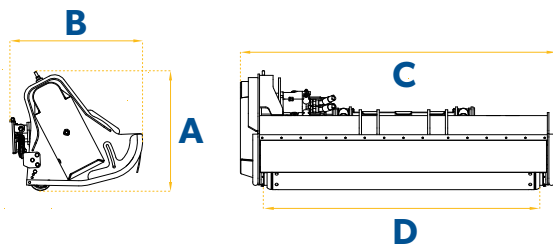
Looking for a different accessory for Flailbot?

We have a diverse range of tools and accessories for Flailbot beyond the range shown here. If you would like to discuss options or to learn more please contact our Flailbot team and they will be able to help and advise.



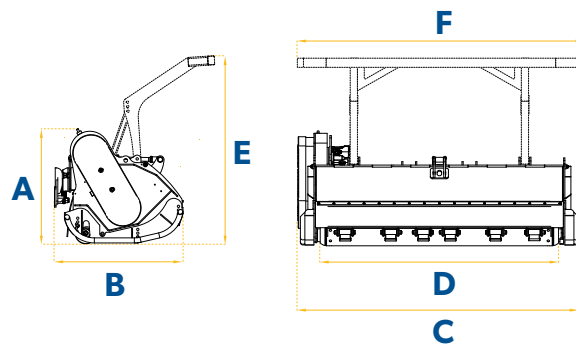
Standard Flailhead

Perfect for cutting all types of green vegetation up to 35mm (1 3/8") diameter.



Forestry Head

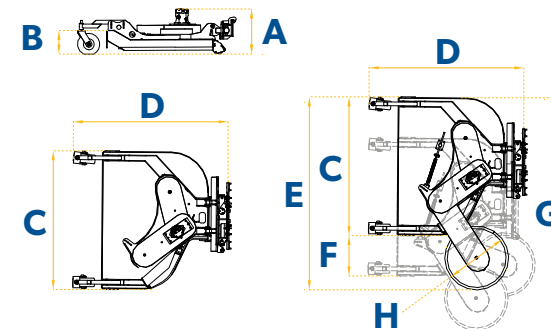
Designed to cut thicker vegetation than the standard cutting head, with swinging hammers as standard and a fixed hammer rotor option.



Technical Data		1200	1650
A	Height	740mm / 2'5"	760mm / 2'6"
B	Depth	750mm / 2'6"	910mm / 3'
C	Width	1465mm / 4'10"	1865mm / 6'1"
D	Cutting Width	1190mm / 3'11"	1650mm / 5'5"
E	Height w/ Branch Feller	960mm / 3'2"	1250mm / 4'1"
F	Branch Feller Width	1465mm / 4'10"	1865mm / 6'1"
G	Depth w/ Branch Feller	960mm / 3'2"	1120mm / 3'8"
	Weight	300kg / 661lbs	450kg / 992lbs
	Weight w/ Branch Feller	320kg / 705lbs	470kg / 1,036lbs

Rotary Mower Deck & Barrier Mower Disc

Ideal for park areas and cutting of fine grass with option of disc mower fitted for cutting around trees, sign posts and guard rails/delineator posts.

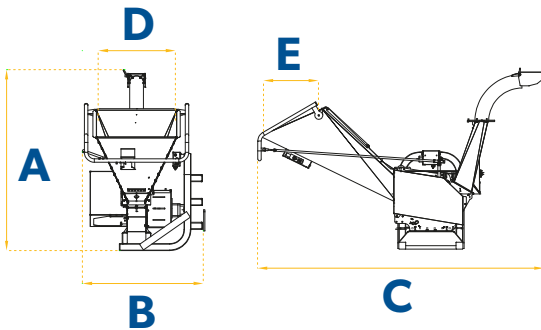


Technical Data		Deck Only	Deck + Disk
A	Height	275mm / 11"	275mm / 11"
B	Opening Height	250mm / 10"	250mm / 10"
C	Width	1455mm / 4'9"	1455mm / 4'9"
D	Depth	1630mm / 5'4"	1630mm / 5'4"
E	Width with Deck	-	1660mm / 5'5"
F	Lateral Movement	400mm / 1'4"	400mm / 1'4"
G	Max Working Width	1455mm / 4'9"	2025mm / 6'7"
H	Disc Diameter	-	670mm / 2'2"
	Weight	260kg / 573lbs	300kg / 661lbs

Technical Data		1000	1300	1500	2000
A	Height	590mm / 1'11"	625mm / 2'1"	635mm / 2'1"	610mm / 2'0"
B	Depth	674mm / 2'3"	710mm / 2'4"	720mm / 2'4"	930mm / 3'1"
C	Width	1139mm / 3'9"	1445mm / 4'9"	1660mm / 5'5"	2234mm / 7'4"
D	Cutting Width	1000mm / 3'3"	1180mm / 3'10"	1390mm / 4'7"	2050mm / 6'9"
	Weight	160kg / 352lbs	210kg / 463lbs	270kg / 595lbs	420kg / 936lbs

Wood Chipper

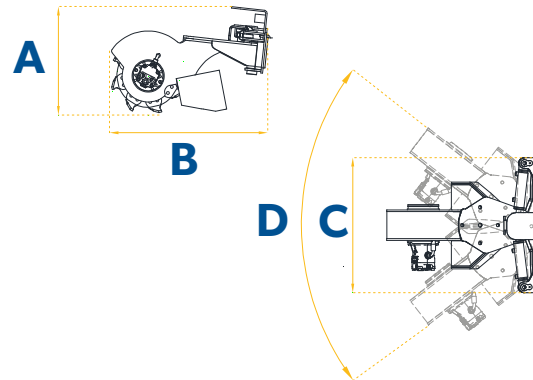
For difficult to access areas, this wood chipper enables on-site chipping.



Technical Data		Wood Chipper
A	Height	1650mm / 5'5"
B	Depth	1100mm / 3'7"
C	Width	2600mm / 8'6"
D	Chipper Entry Width	720mm / 2'4"
E	Chipper Entry Depth	700mm / 2'4"
	Weight	260kg / 573lbs
	Max Cuttable Diameter	90mm / 4"
	Introduction Height	1000mm / 3'3"
	Shredding Opening	160mm x 200mm / 6" x 8"
	No. of Hammers	8
	No. of Blades	2
	Hourly Production	7m ³ /h

Stump Grinder

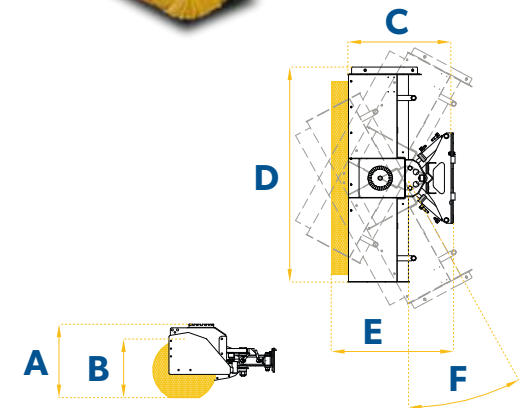
Powerful, yet compact designed stump grinder. For removal of tree stumps after cutting the tree down.



Technical Data		Stump Grinder
A	Height	750mm / 2'6"
B	Depth	900mm / 2'11"
C	Width	750mm / 2'6"
D	Working Angle	70°
	Wheel Diameter	350mm / 1'2"
	Wheel Diameter with Tools	425mm / 1'5"
	Weight	150kg / 331lbs
	Rotor Speed	1400 rpm
	No. of Tools	16

Sweeper

Sweeper designed for fast clearance and sweeping operations, and can be angled left, right and straight ahead.



Technical Data		Sweeper
A	Height	570mm / 1'10"
B	Brush Height / Diameter	480mm / 1'7"
C	Depth	790mm / 2'7"
D	Width	1665mm / 5'6"
E	Depth including Brush	920mm / 3'0"
F	Working Angle	30°
	Weight	170kg / 375lbs

Collection Basket for Sweeper

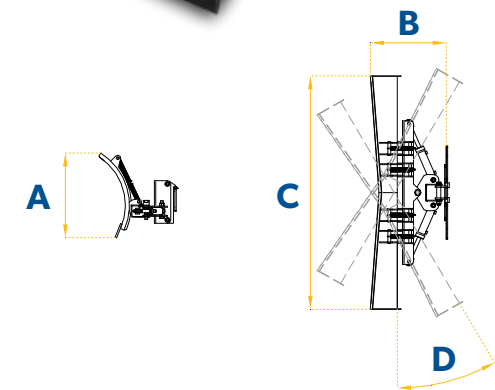
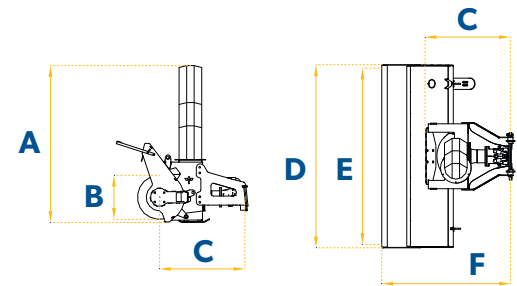
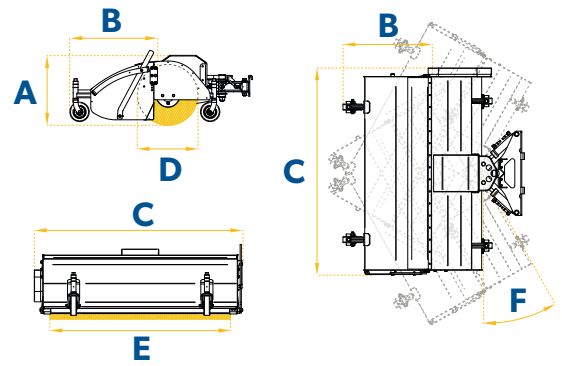
A useful addition to the sweeper attachment for collecting debris as it is swept.

Snow Blower

Hydraulic powered snow blower fitted with a swivelling chute to blow snow and can be angled left, right and straight ahead.

Snow Plough Blade

For snow clearance and removal with angle headstock to allow LH, RH and straight push adjustment.



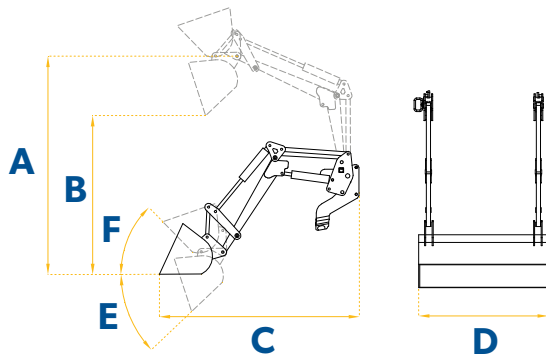
Technical Data		Collection Basket
A	Height	570mm / 1'10"
B	Depth	693mm / 2'3"
C	Width	1665mm / 5'6"
D	Brush Height / Diameter	480mm / 1'7"
E	Brush Width	1460mm / 4'9"
F	Working Angle	30°
	Weight	60kg / 132lbs
	Opening System	Mechanical
	Pivot Wheels	Yes

Technical Data		Snow Blower
A	Height	1360mm / 4'6"
B	Diameter / Height of Rotor	400mm / 1'4"
C	Centre of Rotor to Coupling	750mm / 2'6"
D	Total Width	1615mm / 5'4"
E	Working Width	1600mm / 5'3"
F	Depth	1155mm / 3'9"
	Weight	250kg / 551lbs

Technical Data		1750	2000
A	Height	635mm / 2'1"	635mm / 2'1"
B	Depth	560mm / 1'10"	560mm / 1'10"
C	Width	1750mm / 5'9"	2000mm / 6'7"
D	Working Angle	30°	30°
	Weight	140kg / 309lbs	160kg / 353lbs

Front End Loader

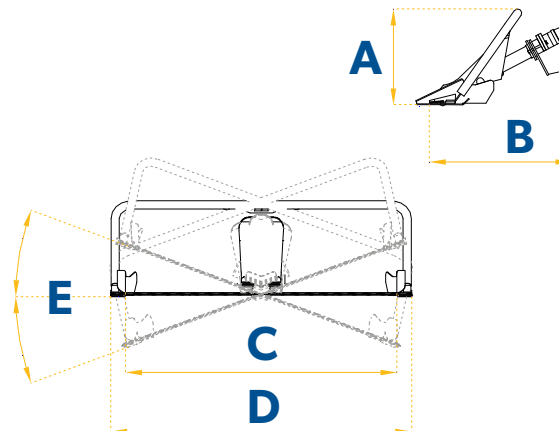
Front end loader with parallel lift function as standard for ultimate bucket control. (NB. Bucket sold separately).



Technical Data		Front End Loader
A	Joint Height	1650mm / 5'5"
B	Max Height (Base of bucket)	1100mm / 3'7"
C	Depth	1865mm / 6'1"
D	Width	1320mm / 4'4"
E	Angle of Bucket Rotation	43°
F	Angle of Rotation	46°
	Weight	185kg / 408lbs
	Bucket Capacity	350kg / 772lbs

Haymaker Bar

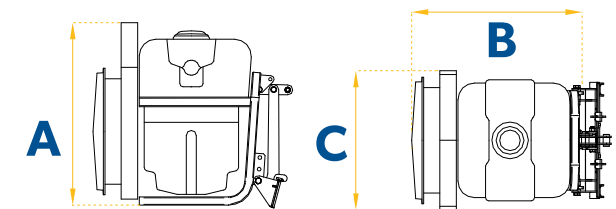
Designed to cut taller grass, to enable the collection and process into hay.



Technical Data		Haymaker Bar
A	Height	590mm / 1'11"
B	Depth	1065mm / 3'6"
C	Cutting Width	1600mm / 5'3"
D	Total Width	1600mm / 5'3"
E	Working Angle	40°
	Weight	150kg / 331lbs

Atomiser / Sprayer

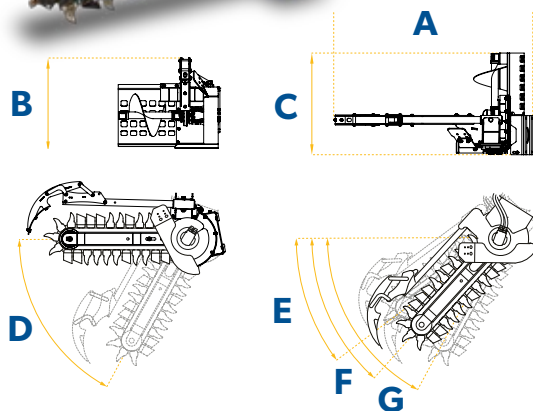
Designed for spraying vineyards and orchards. Narrow design allows access to smaller crop rows.



Technical Data		Atomiser
A	Height	1100mm / 3'7"
B	Depth	1060mm / 3'6"
C	Width	840mm / 2'9"
	Distance from Machine	1250mm / 4'1"
	Height from Ground	300-400mm / 1'-1'4"
	Weight	190kg / 419lbs
	Pressure Max	40 bar
	Volume	200 Litres / 52.83 USG
	Total Weight	390kg / 860lbs

Trencher

For cutting trenches in restricted areas and on prestigious surfaces. Cuts a small trench for pipes and cables to be laid.



Technical Data		600	900
A	Length	1465mm / 4'10"	1800mm / 5'11"
B	Height	736mm / 2'5"	736mm / 2'5"
C	Width	850mm / 2'9"	850mm / 2'9"
D	Max Cutting Angle	62°	62°
E F G	Cutting Depth Settings	300mm / 1' 450mm / 1'6" 600mm / 2'	600mm / 2' 750mm / 2'6" 900mm / 2'11"
Chain / Teeth Options		Earth / Tungsten / Combination	
Cutting Width Range (Chain Width)		100-300mm 4"-1'	100-300mm 4"-1'
Oil Pressure Range		160-240 Bar 2321-3481 PSI	180-240 Bar 2611-3481 PSI
Oil Flow Range		35-65 lpm 9-17 USG per min	45-80 lpm 12-21 USG per min
Weight		300kg / 661lbs	450kg / 992lbs



Stump Grinder



Forestry Head

Contact our Flailbot team

Director

James Cuthbertson

Director of Sales & Marketing

Office Tel: +44 (0)1789 773383

Office Fax: +44 (0)1789 773238

Mobile: +44 (0)7768 553799

Email: jcuthbertson@bomford-turner.com

UK Sales

Rhys Thomas

Flailbot Specialist

Office Tel: +44 (0)1789 773383

Office Fax: +44 (0)1789 773238

Mobile: +44 (0)7817 137068

Email: rthomas@bomford-turner.com

Parts

Sam Sharp

Parts Sales Manager

Office Tel: +44 (0)1789 773383

Office Fax: +44 (0)1789 490123

Mobile: +44 (0)7725 163728

Email: ssharp@bomford-turner.com

Export Sales

Craig Whiting

Export Sales Manager

Office Tel: +44 (0)1789 773383

Office Fax: +44 (0)1789 773238

Mobile: +44 (0)7813 137451

Email: cwhiting@bomford-turner.com

Ole Buhl

Northern Europe Sales Manager

Office Tel: +44 (0)1789 773383

Office Fax: +44 (0)1789 773238

Mobile: +45 40 35 89 71

Email: obuhl@bomford-turner.com

Jim Goddard

International Business Development
Manager(North America)

Office Tel: +44 (0)1789 773383

Office Fax: +44 (0)1789 773238

Mobile: +44 (0)7814 163066

Email: jgoddard@bomford-turner.com