

Q-SERIES

DIGITALLY INTEGRATED FRONT LOADERS
FOR THE PROFESSIONAL



Q-COMPANION[®]
AVAILABLE



Q-SERIES

FANTASTIC DURABILITY - cast and forged components

OUTSTANDING VISIBILITY - high visibility design

EFFICIENT RESPONSE - enhanced hydraulics

Q-COMPANION® - driver support system

DIGITAL LOADER - fully integrated

THE INNOVATOR
THAT SETS THE STANDARD FOR FARMING –
TODAY AND TOMORROW

Quicke[®]
WORK SMARTER. NOT HARDER.

WORK SMARTER. NOT HARDER.



The world is changing, and so is farming. We are all for embracing that change. Everything Quicke® does, down to the tiniest weld run, is with one thing in mind: Making the man in the machine more efficient – through superior quality and smart details built into our products. At Quicke® we've had more than seven decades to perfect our flagship front loaders.

Meet the Quicke® Q-series, the world's first digital loader.



Q-COMPANION®
AVAILABLE

THE INNOVATOR

The new Quicke® Q-series is engineered for modern farming. Through innovation, forward-thinking and design, we have provided smart solutions that will put you one step ahead. We have built a loader that is ready for tomorrow.

You expect your TV, your phone and your car to be smart. Why expect less from your front loader?



THE NEW DIGITAL LOAD

The Q-series introduces a digital platform into the world of loaders: **Q-companion®**.
An all-in-one digital solution for effective and safe front loader operation.



DER



Q-COMPANION®
AVAILABLE



Q-companion® includes a cloud service and smartphone app which makes documentation easier and helps you keep track of your loader work.

Q-COMPANION® – MUCH MORE THAN JUST ANOTHER SCALE SYSTEM!

Use Q-companion to load the right amount of material, avoid over-loading of trailers and save unnecessary trips to the feed pit. Weigh your bales and count them automatically. Know how much material is stored and where on the farm it is stored, thanks to the app. A clever maintenance reminder is also included to aid in taking good care of your loader.

Q-companion comes with an easy-to-use, intuitive and self-instructive user interface. You and your staff will quickly learn how to use the Q-companion, saving you time and money. You can easily calibrate and store settings for up to thirty different implements.

Load weighing

Q-companion weighs the load during the lift with fantastic accuracy and provides guidance that helps you lift correctly for best results. In automatic mode each lift is saved without any further input. In manual mode you are prompted to press a button to save your weighing data after each lift. Number of lifts and total weight is displayed and you can activate tare if needed. The target weight function comes in handy when loading wagons and the display lets you know when the target is reached. There's no need to invest in separate weighing equipment. Use your tractor/loader combo for highly accurate multi-purpose weighing, always at hand!

Implement position monitor

Once you've calibrated your implements, there's no longer any need to go out and adjust the angle indicator rod on the loader, use Q-companion instead! The implement position is displayed in relation to the ground for both height and angle. This is particularly useful when visibility is at a premium. Pick up pallets easily, or spear bales with precision. Save time by doing it right the first time – every time. The load utilization gauge shows how much lift force is used (in %). The higher you go, the more caution is required.

Maintenance reminder

Two individual maintenance indicators will tell you when it's time to lubricate and time for hardware torque checks. The time between maintenance is based on actual loader usage, not tractor usage. Loader maintenance is often forgotten and can result in down-time and repairs. Follow the maintenance schedule for trouble-free operation for years to come!

App and Cloud Service

Q-companion includes a free-of-charge smartphone app for iOS and Android, just search for Q-companion in the app stores. Using Bluetooth® technology, you can easily export weighing results from the Q-companion display to the cloud service and later access it on your computer or tablet. The app is in essence a material management system. Based on your input and loader work, you will be able to keep track of yield from individual fields, document your manure management etc. The app is designed to suit small farms as well as large farms with multiple employees/sites. It can be used without Q-companion as well, as long as you have a loader built by us.



Weighing Mode



Position Mode



Maintenance Mode



SMARTER FARMING



THE ADVANTAGES OF Q-COMPANION®

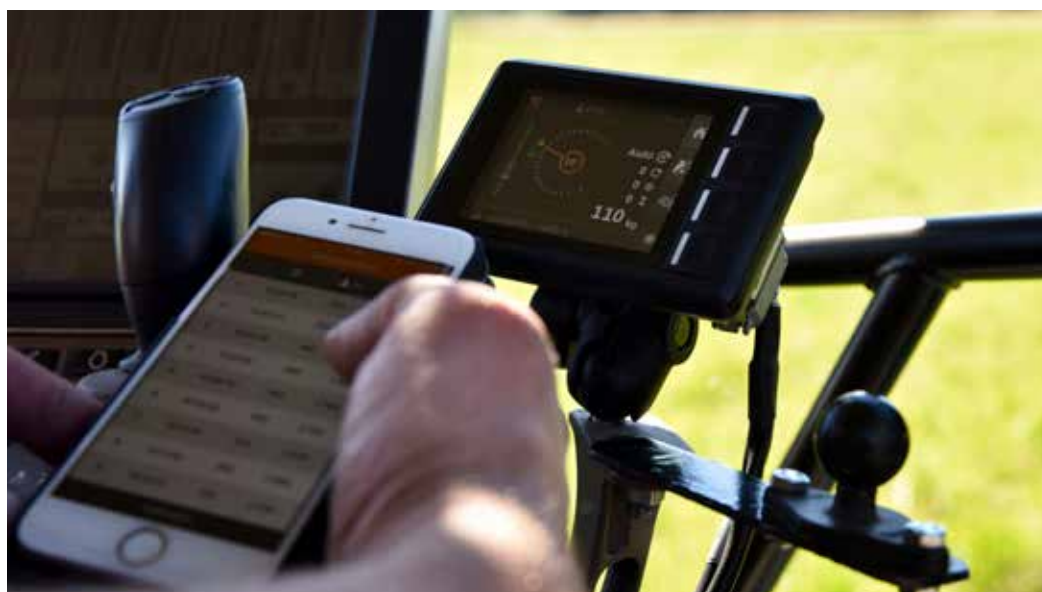
Features that will simplify your work

The weighing function helps you move the right amount of material, saving time and reducing waste.

The implement position monitor Shows the implement height and angle, perfect when visibility is at a premium.

Maintenance reminders help you take care of the loader, eliminating downtime and resulting production loss.

Documentation in digital format is much easier thanks to Bluetooth® technology and the free-of-charge Q-companion smartphone app and website.



Q-companion® includes a cloud service and smartphone app which makes documentation easier and helps you keep track of your loader work.

THE COMPANION

With Quicke® Q-series, you will always have a friend you can depend on. A robust workhorse and a faithful companion. With a fantastic durability, it'll be there in the long run, come rain or shine – and give you outstanding value for your money.





BUILT TO GIVE YOU PEACE OF MIND

Strength, versatility superior quality and attention to detail is the trademark of the Q-series. This is the front loader that will endure any challenge you throw at it. Trust us, this loader is in for the long run – with ingenious design and clever engineering we have managed to increase the durability immensely, both compared to its predecessors or to any competitor.

With the introduction of cast and forged components – in the rear arms, knees and front parts – loader robustness has vastly improved. The heavy-duty steel construction means increased strength and less wear on bushings and pins. The unique loader arm design with double U profiles provide you with the market's best torsional and bending resistance. That means unrivalled arm strength and

stability. So rest assured, that with the Q-series, you will have a loader that will last many, many years. It will get the work done, quick and precise.

A reliable partner, that will make your work easier. And maybe make your neighbour glance enviously your way.

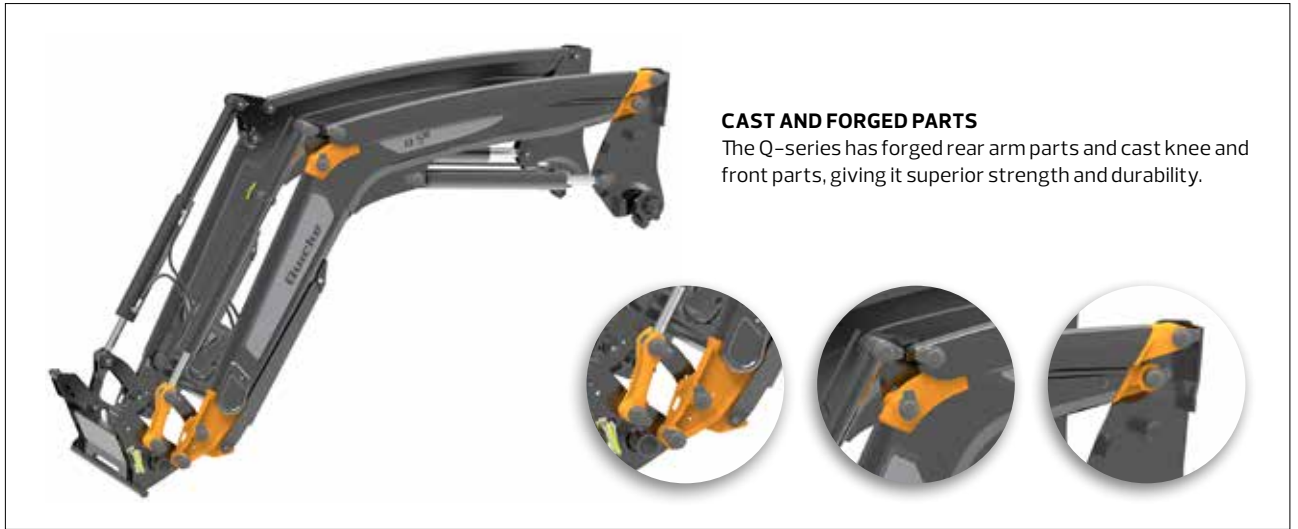


Quicke



STRENGTH AND DURABILITY THAT OUTSHINES ITS COMPETITION

Let the new Quicke® Q-series maximise your work hours, with its full range of strong, durable functions.



CAST AND FORGED PARTS

The Q-series has forged rear arm parts and cast knee and front parts, giving it superior strength and durability.



STRONG AND SMART WITH UNIQUE SHAPE

The embossing adds strength to the arm and the chamfering improves visibility. Compare the shape with most tractor bonnets and you'll understand the idea.



ROCK SOLID

The cast front part has a rock solid connection with the cross tube and the rest of the loader arm. The low placement of the cross tube contributes to superior visibility.



SAFE CONNECTIONS WITH LOCK & GO®

Our well proven connect and disconnect system Lock & Go® will save you time without having to compromise on safety. There are no loose parts and no tools are required. Unlatching is simple and it latches automatically when connecting the loader.



SUPER STRONG SUBFRAME

Quicke's Delta subframe has oversized dimensions with precision machined contact surfaces. The wide U-support and large locking pin enables the loader to cope with difficult and heavy jobs for many years.



OPTIMAL DIVISION OF POWER

The compact and profile-pressed bearing box is narrow close to the locking pin. This means that the locking pin can be made short and strong, while the wide U-support provides maximum stability with heavy loader jobs.



ROCK-STEADY SUPPORT LEGS

Fully integrated heavy-duty design with flexible positions makes it quick and easy to connect and disconnect your Quicke® loader. No tools are required and there are no loose parts.

FEATURES

With Quicke® Q-series, every detail is closely thought through in order to deliver the best possible advantages and use. Ultimately, it will improve every aspect of your work, and let you finish up each work day with the rewarding feeling of getting things done.



EXACT CONTROL WITH CENTRAL DISTRIBUTION VALVE

Our centrally-placed valve has many advantages. It gives the loader exact control and optimal force for heavy-duty tasks. The location of the valve gives optimal vision for the driver and offers outstanding durability, as all the components are being protected by a durable polymer cover.



PIVOT PIN COVERS KEEPS THE GREASE INSIDE

Smart details makes the Q-series easy to keep clean. Every pivot pin has a cover that ensures the lubricating grease is contained when for instance pressure washing, thus keeps the loader and tractor clean.



HEAVY-DUTY PIVOT PINS

All pins are galvanized and fitted with Quicques proven torque tab lock. The pivot pin between cast link and tilt cylinder is subject to very high loads and has a new designed torque lock as well as 3 grease points. Axial play is prevented by the inner rubber-steel washer which also helps keeping the grease inside the bearing.



IMPLEMENT ANGLE INDICATOR

The compact implement angle indicator is easily adjusted for different implements and offer settings for 3 different implements at the same time. Use it for easy implement angle reference relative to the ground.



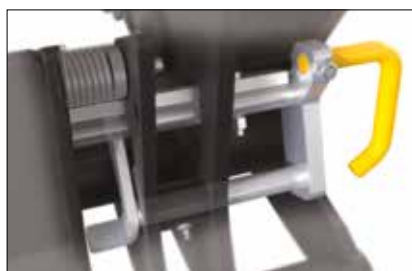
EFFICIENT RESPONSE

The hydraulic system has been substantially improved and boasts around half of the pressure drop compared to our previous loader range. The result is quick and excellent response, less heat buildup and a small, but still, saving on fuel. It also allows for a class-leading SoftDrive load dampening.



Q-LINK – PRECISE PARALLEL LINKAGE

Mechanical self-leveling is a safe and convenient option. Our Q-link makes it all happen and is also a design feature incorporating curving and chamfering to follow the tractor bonnet design. As an added bonus it also helps to raise the lift capacity of the loader!



ERGONOMIC LOCKING HANDLE

Mechanical self-leveling is a safe and convenient option. Our Q-link makes it all happen and is also a design feature incorporating curving and chamfering to follow the tractor bonnet design. As an added bonus it also helps to raise the lift capacity of the loader!



SMART OUTLET

The hose routing inside the loader beam comes out well protected on the side of the loader. Good for visibility and good for protection of hoses.



THE SOLUTION PROVIDER



You want the time you spend using your front loader to be as productive as possible. The Quicke® Q-series is a loader with superior performance, helping you to solve problems as they arise. Improved visibility, precise controls and smart innovations will make your work more efficient. Like a knowledgeable, reliable friend, Quicke® is there to make your day easier.

N



DRIVE SMOOTHER WITH SOFTDRIVE®

Our superior suspension system SoftDrive® reduces the strain on the loader and subframes, as well as on the driver and tractor.

What it does

SoftDrive® is a loader suspension system that will improve your everyday loader work. With SoftDrive® protecting everything between the load in the implement and the ground you can work more efficiently. SoftDrive® not only reduces the stress on the loader and the attachment but also the tractor, the tires and even you as the driver. With SoftDrive® activated, you will be able to go faster, even with a full load, making you more efficient than ever before.

With its clever location, protected inside the cross tube it does not even obstruct your visibility. This also means that there is no risk of damage to the hoses, pipes or accumulators. SoftDrive® is turned on or off electrically from the tractor cab. Use it as much as you like, but remember to switch it off for improved precision when needed.

The new SoftDrive® features a design that will cope with high flow oil systems, creating market leading load dampening. There is simply no better loader suspension on the market than SoftDrive® for Q-series.



FINDING THE RIGHT ANGLE

Q-level gives you optimal work angles for improved use of your implement. At operational height the loader crowds back more compared to previous models. It results in less spillage over the bucket tip.



INCREASED ANGLES FOR YOUR BENEFIT

The new Q-level is made possible by a number of factors, including optimisations made to the implement cylinders. The crowd angles are better than ever. The improved working angles allows you to bring more material with less spillage. This is a good example of how we turn our design expertise into user benefits.



*85cm on model Q8M



MAKING THE MOST OF YOUR WORKING HOURS

The new Quicke® Q-series shows how clever engineering makes all the difference. With Q-companion®, up to 30% improved visibility, improved work angles and smooth and easy implement change you just won't find a more high-functioning, usable front loader.

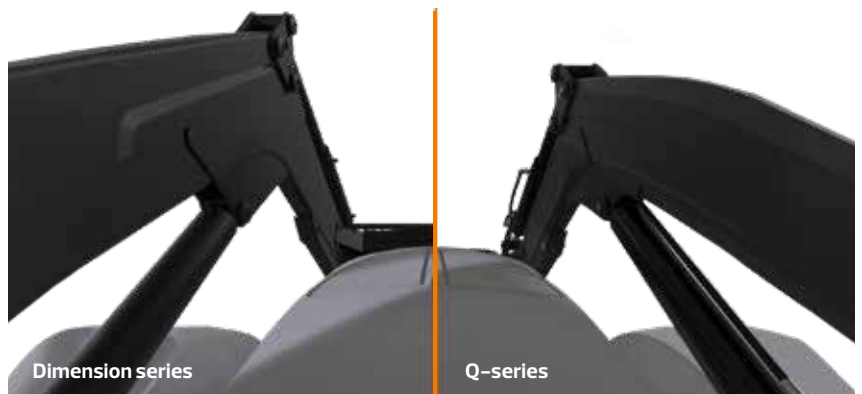
Our solution consists of a number of clever designs that ensures that the Q-series loader will save you time in your daily work. What could be more important than good, clear view from the driver's seat? Quicke® is since many years renowned for its outstanding visibility. With the Q-series we've gone out of our way to improve the visibility from inside the tractor even further.

Q-vision

Quicke's unique loader design allows you to work with the best possible visibility. We call it Q-vision. No pipes or hoses that restrict your view. No dirt or rubbish that can accumulate, even if you fit options to your loader. These are the obvious advantages of Q-vision, where pipes and hoses are protected in the loader arm. This helps provide you with market leading visibility. You will have better overview and control, and an altogether safer experience.

Hi-visibility tool carriers

The tool carriers for the new Q-series comes in a high visibility optimized



Renowned for excellent visibility, we have gone out of our ways to improve it even further. The lower arm profile gives you up to 30% better field of vision.

design. With less obstructive material, you will have a clear view of your implement's back. Nonetheless, torsional strength and durability is stronger than ever. As always with Quicke's premium products, the locking of the implement is semi-automatic, we call it Clic-on™. The tool carrier* also has two levers for unlocking the implement. One centred and one side mounted, yet well protected in the tool carrier design. The side mounted locking device also doubles as an

implement locking indicator, giving you full visibility, so that you can easily see that the implement is in locked position.

Why not pay a visit to the nearest Quicke dealer and check it out yourself? Preferably from the driver's seat.

*applies to Euro and Euro/SMS tool carriers.

"We take great pride in forward-thinking"

Since 1949, we have invented and refined the art of making front loaders. Today, we have top-of-the-line production facilities all over the world. We test-run every detail on our products meticulously, to meet the demands of modern farming and build the best loaders possible. Meet our Product Manager for loaders, Urban Rönqvist.

– Continuous development, decade after decade. That is the core of our long and successful history. And it also points to our future, says Urban Rönqvist, who has overseen the long, meticulous work from the developers at Ålö®, leading up to the new Quicke® Q-series.

The history behind Ålö® starts with the idea of company founder Karl-Ragnar Åström. In the mid-1940s, he inherited the family farm in Brännland, just outside Umeå in Sweden. At this time all loading and unloading was done manually. In 1947, Karl-Ragnar designed the first Swedish front loader for his own use.

– Karl-Ragnar's spirit of invention still lives on at Ålö®. It's part of our DNA. Being at the forefront of design and development means that we are constantly looking for improvements, both large and small. We take great pride in forward-thinking, says Urban Rönqvist.

Today we are market leaders in more than 15 countries. With state of the art production facilities in Sweden, USA, France and China we are the undisputed world leader in front loaders and associated implements.

Karl-Ragnar Åström, being a farmer himself, had one single goal in mind when he created the first Quicke® loader in the 1940s: To facilitate and rationalise the farmer's work. That goal still applies today.

– When you equip your tractor with a Quicke® you should know that you are acquainting yourself with a loader range that is designed with total regard for your needs, a range that has been tried and tested for many years, says Urban Rönqvist.




OPTIONS

Your Quicke® loader comes standard with a lot of built-in functionality. If you are looking for more, we have a number of options you can have fitted to your loader to improve your comfort and efficiency.



Q-LOCK – HYDRAULIC IMPLEMENT LOCKING

Our improved hydraulic implement locking ensures simple and comfortable changes of implements. Unlock, change implement and lock without getting out of your drivers seat.



COLOUR MATCH

Looking for a different appearance? You can order your Quicke® loader to match the colour of your tractor. Available in certain markets. Contact your local dealer for more information.



LIVE 3

Live3 gives you the possibility to operate a hydraulic implement independently of the loaders movements. This means saved time and improved productivity. The function saves time when working with for instance animal feed and bale handling. The couplings are conveniently placed on the tool carrier. Combine it with Selecto Fix for effortless connection.



LOADERLIGHT®

The compact, but powerful LED lights makes implement change in darkness a breeze. Perfect also when stacking since the light follows the loader when lifting.



3RD FUNCTION

3rd function makes it possible to operate hydraulically powered implements like bale grabs, shear grabs, silage grabs etc. The couplings are conveniently placed on the tool carrier. Combine it with Selecto Fix for effortless connection.



4TH FUNCTION

This option provides hydraulic power for implements requiring 2 separate double-acting functions. 4th function requires 3rd function to be installed and the couplings are neatly fitted adjacent to the 3rd function couplings.



SAVE TIME WITH SELECTO FIX

Gain time and avoid trouble. With a simple action, you can easily attach the hydraulic implements without any problems, even when it is pressurised.



WITH LCS[®], YOU ARE IN CONTROL

Our Loader Control System (LCS[®]) is a technical breakthrough. It's one system, but with hundreds of advantages, giving you outstanding control, direct response and drivability, and it brings together many technical innovations in one system.

The unique LCS[®] valve program has been developed for the requirements and functions of the front loaders of today and tomorrow, giving a level of control that no other manufacturer can provide. An integrated multi-coupler saves time and also protects the environment.

A modern designed, thumb-controlled joystick further improves ergonomics and driving characteristics. Each one of these innovations provides significant advantages for you and your tractor. Together, they enable entirely new levels of loader control, user-friendliness, efficiency and safety.



WHICH JOYSTICK MEETS YOUR REQUIREMENTS BEST?

We offer two very different joystick options for loader control – the **ElectroDrive Q⁵™**, enabling you to adapt your control system to your own needs, or the alternative **ErgoDrive**, mechanical cable-guided single lever control. ElectroDrive Q⁵™ comes standard with AAC, Automatic Angle Control. It automatically returns your implement to a pre-set angle. You choose what suits you and your tractor best – but please give it some thought and don't only let the cost be the deciding factor. Here's a brief comparison between the two:



BASIC LOADER CONTROL

- Fully proportional control of all loader movements
- Float function for lowering and tilt movement
- 3rd hydraulic function*
- 4th hydraulic function*
- Hydraulic implement locking*
- SoftDrive, load damping*

USER CONFIGURABLE

- AAC, Automatic Angle Control
- Operate 3rd function using buttons only*
- 3rd function continuous flow*
- Implement shake function
- Speed reduction, independantly settable for all 4 loader movements
- Programmable favourite button

OTHER FEATURES

- Spill free flat face quick couplers with separate electric connection, or multi-coupler with integrated electric connection

●	■
●	■
●	■
●	■ **
●	■ **
●	■
●	
●	
●	
●	
●	
●	
●	
●	■

* Depending on the loader configuration ** Requires extra switch

Q-SERIES

THE FACTS





FRONT LOADER SPECIFICATIONS

NON SELF-LEVELLING*

Q-SERIES MODELS		Q3	Q4	Q5	Q6		Q3 ^S	Q3 ^M	Q3 ^L
TRACTOR DATA									
Tractor PTO HP Range	Hp	60-100	80-140	100-180	120-220		60-100	60-100	60-100
Tractor weight (max)	kg	4000	5000	6000	7000		4000	4000	4000
Specified Pressure	bar	195	195	195	195		195	195	195
Specified Flow	l/m	50	60	80	90		50	50	50
LOADER PHYSICAL DATA									
Arm width (C-C)	mm	1040	1040	1040	1040/1200		1040	1040	1040
Weight - Front loader	kg	450	515	560	630		520	520	525
LIFT HEIGHTS AND BUCKET ANGLES									
Maximum Lift Height - Measured at Pivot Pin	m	3,55	3,79	4,06	4,25		3,55	3,55	3,81
Maximum Lift Height - Under Level Bucket	m	3,25	3,49	3,76	3,95		3,25	3,25	3,51
Maximum Dump Angle at Maximum height	°	58	58	56	57		58	58	53
Maximum Q Level angle	°						58	58	58
Maximum Rollback Angle at ground	°	48	48	48	48		48	48	50
LOADER FORCES									
Lift Capacity to Maximum Height -800mm (31.5 in) From Pivot Pin	kg	1250	1290	1300	1590		1550	1850	1740
Lift Capacity, 1,5m (59 in) Height -800mm (31.5 in) From Pivot Pin	kg	1650	1720	1870	2110		1570	1870	1760
Breakout Force -800mm (31.5 in) From Pivot Pin	kg	1790	1850	2070	2270		1630	1960	1830
Rollback Force at Ground Level -800mm (31.5 in) From Pivot Pin	kg	2430	3420	3420	4030		2390	2870	3430
REACH DATA									
Clearance with bucket dumped 45 deg	mm	2580	2820	3090	3280		2580	2580	2840
LOADER POSITION									
Digging Depth	mm	160	160	160	160		160	160	160



Q-COMPANION®
AVAILABLE

SELF-LEVELLING*

Q4 ^S	Q4 ^M	Q4 ^L	Q5 ^S	Q5 ^M	Q5 ^L	Q6 ^S	Q6 ^M	Q6 ^L	Q7 ^S	Q7 ^M	Q7 ^L	Q8 ^S	Q8 ^M
80-140	80-140	80-140	100-180	100-180	100-180	120-220	120-220	120-220	140-280	140-280	140-280	>160	>160
5000	5000	5000	6000	6000	6000	7000	7000	7000	8000	8000	8000	9000	9000
195	195	195	195	195	195	195	195	195	195	195	195	195	195
60	60	60	80	80	80	90	90	90	100	100	100	100	100
1040	1040	1040	1040	1040	1040	1040/1200	1040/1200	1040/1200	1040/1200	1040/1200	1040/1200	1200/1420	1200/1420
575	575	580	620	620	625	720	720	750	760	760	760	830	830
3,79	3,79	4,02	4,06	4,06	4,20	4,25	4,25	4,55	4,60	4,60	4,75	4,96	4,96
3,49	3,49	3,72	3,76	3,76	3,90	3,95	3,95	4,25	4,30	4,30	4,45	4,66	4,66
58	58	54	57	57	54	57	57	53	54	54	53	53	53
58	58	60	58	58	58	58	58	59	58	58	57	58	58
48	48	49	48	48	49	48	48	52	49	49	51	47	47
1920	2260	1780	1980	2300	1930	2140	2470	1980	2170	2490	2000	2260	2590
1940	2280	1820	2100	2440	2020	2350	2700	2110	2460	2810	2280	2460	2810
1990	2320	1910	2290	2640	2160	2470	2840	2230	2620	2990	2430	3190	3630
3360	3360	3400	3370	3910	3420	3400	4540	4000	3970	4600	4580	4510	4510
2820	2820	3050	3090	3090	3230	3280	3280	3580	3630	3630	3990	3990	3990
160	160	180	160	160	170	160	160	200	160	160	160	170	170

THE SUPPORT

As a Quicke® owner, you will not only have a world-leading front loader, but also world-leading level of reliability and service. Your purchase does not end our commitment to you – it's only the beginning.

Your Quicke® has to perform at its best for a long time. We have built up a strong global organisation with a comprehensive service network, giving you easy and fast access to locations for service, spare parts and knowledgeable support – wherever you operate in the world. You can be sure that our service and support meets the same standard as our products – always aiming for 100% customer satisfaction. To us, second best is not enough.

Absolute customer focus. In order to support you as a customer, we have created routines that ensure all the departments in our organisation are concentrated on your requirements.

Quick online help. You will have round-the-clock online access to spare part details, instructions and other important information.

Tight-knit spare part network. Spare parts are available from our subsidiaries as well as from larger Quicke® representatives the world over.

Proximity. Our world-leading distribution network guarantees proximity to you, no matter where you are.

Global technical support. As a Quicke® customer, you always have access to prompt technical support. All over the world, our representatives can provide knowledgeable and high-quality service.

Constant follow-up. Your viewpoints and suggestions for improvement are gathered together and centrally processed. This follow-up functions as a valuable basis for us when developing products. The development of Quicke® is the result of close cooperation with users all over the world.

Find your local dealer at www.quicke.nu



WORK SMARTER.
NOT HARDER.

Quicke[®]
WORK SMARTER. NOT HARDER.



Quicke
WORK SMARTER. NOT HARDER.

V8AR2

THIS IS JUST
THE BEGINNING

Quicke[®]

WORK SMARTER. NOT HARDER.

Quicke®

WORK SMARTER. NOT HARDER.

Ålö AB

Brännland 300, SE-901 37 Umeå
Sweden
Tel: +46 (0)90 17 05 00
Fax: +46 (0)90 17 05 99
www.quicke.nu

Version April 2019



CLIMATE
COMPENSATED
PAPER



Some front loaders in this brochure are fitted with extra equipment. Certain products may be optional extra equipment. Some of the products are not available on all markets. Product specifications and performance data stated can vary depending on the tractor model. Working with front loaders and accompanying implements is not without risk. Serious injuries to people and damage to materials can occur in the event of incorrectly carried out work. Show consideration to your surroundings, use common sense and comply with local laws and regulations. Always read carefully through the instruction manual supplied. Only use original spare parts and accessories. Quicke product range is continually being developed. We reserve the right at any time to alter specifications, prices and versions with no obligation on our part. ©,™ Trademarks of Ålö AB.